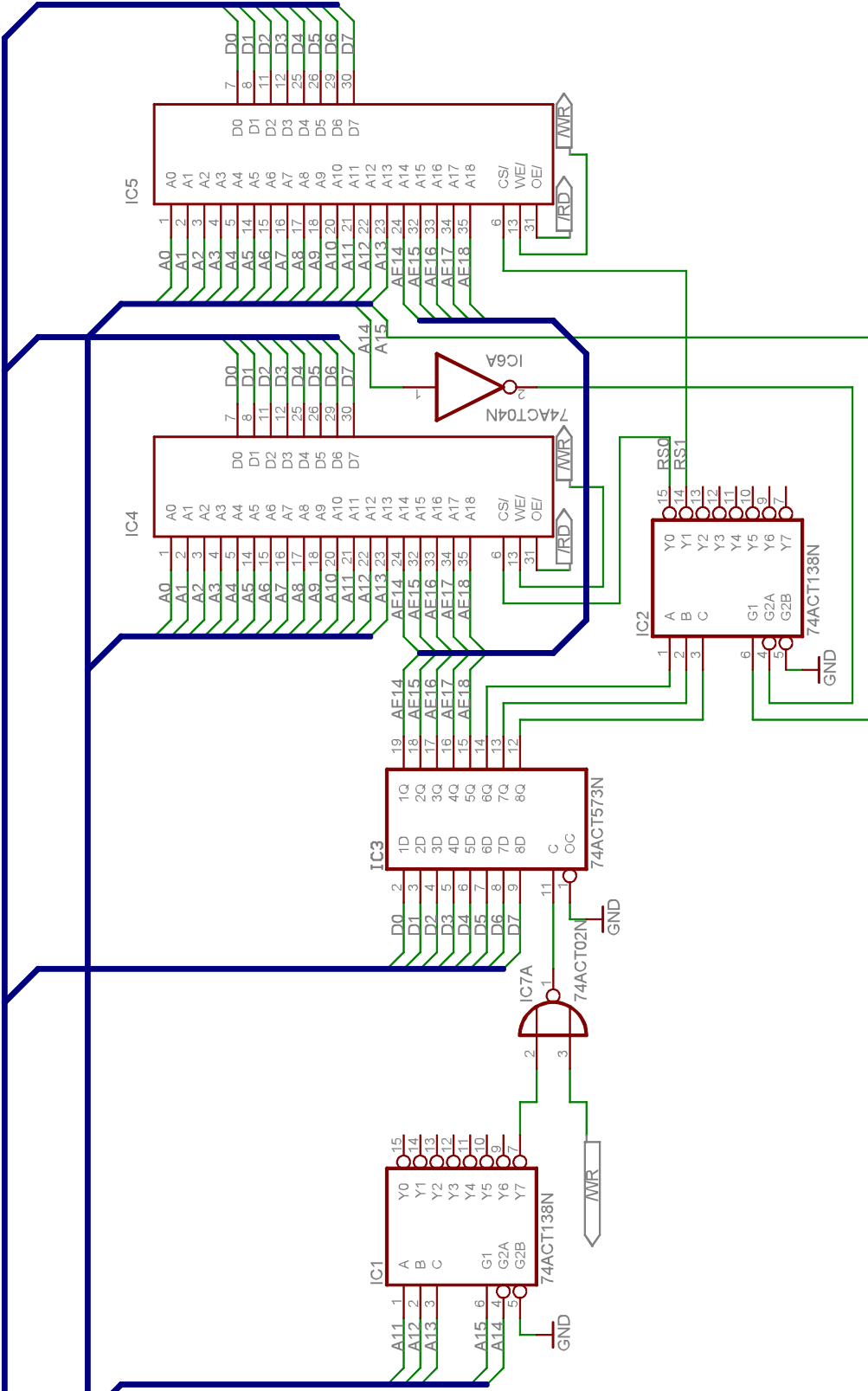


DATA: D[0..7]

ADDR: A[0..15]



TITLE: mem2

Document Number:

REV:

Date: 15.09.2003 11:47:43

Sheet: 1/1